



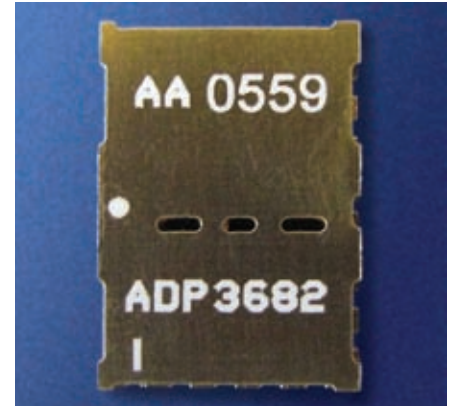
GPS Ceramic Diplexer

Features

- Low loss in passband region
- Small size
- Includes integral PWB cover
- Temperature stable

Description

- Surface mount, thin film filter on high dielectric constant ceramic.
- Filter Material: DLI's proprietary CG ceramic [K=67].
- Cover Material: Rogers 4003 circuit board material.

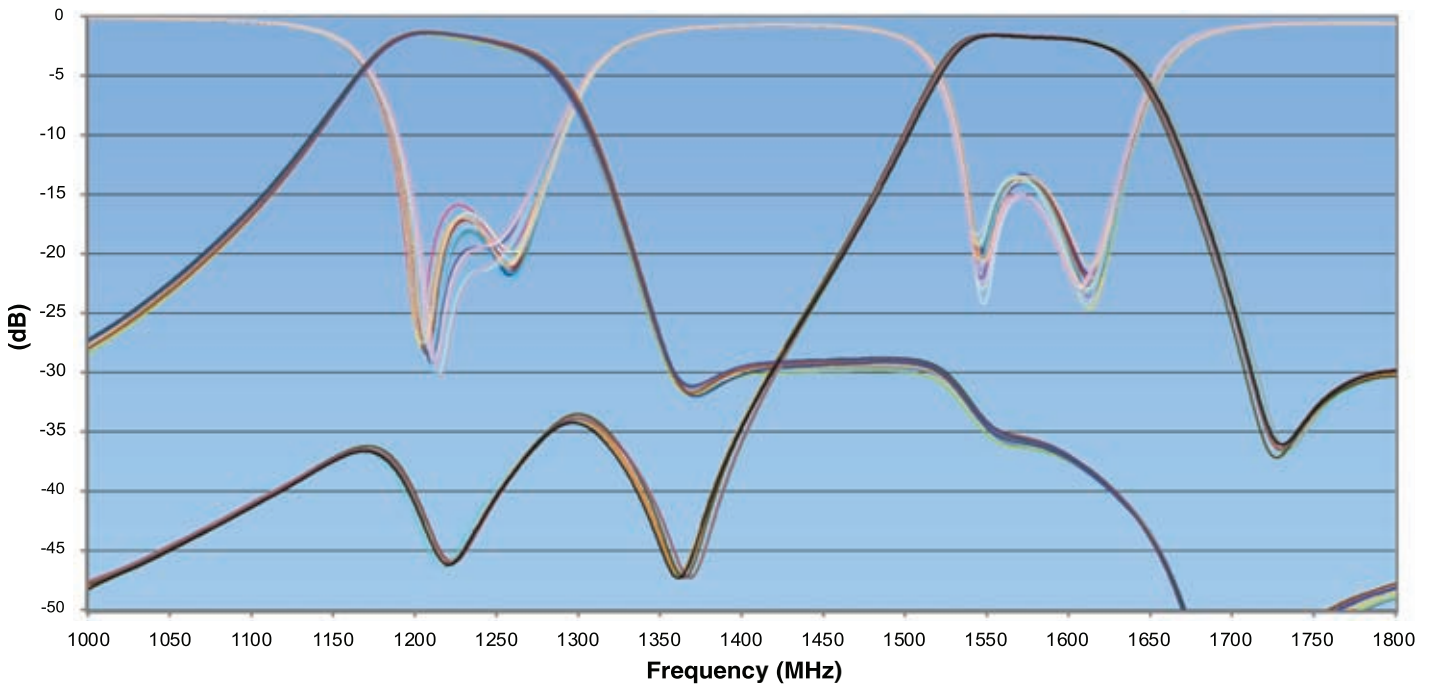


Electrical Specifications

Center Frequencies	1227 & 1575 MHz
1dB Passband	1217-1237 & 1565-1585 MHz
Insertion Loss	2.5dB Typical at Fc
Channel to Channel Isolation	30dB Typical
Passband VSWR	1.67:1

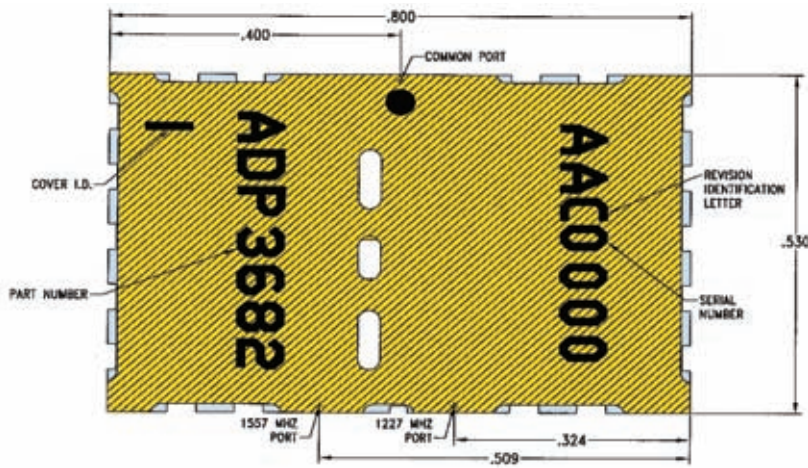
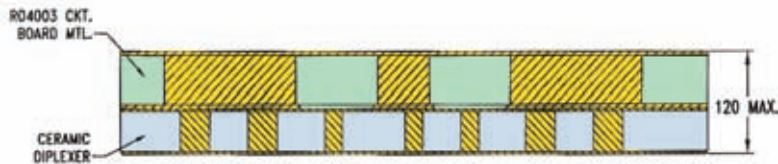
Frequency Response

Typical Data - 9 Samples



GPS Ceramic Diplexer

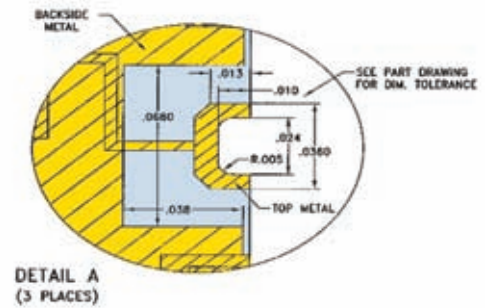
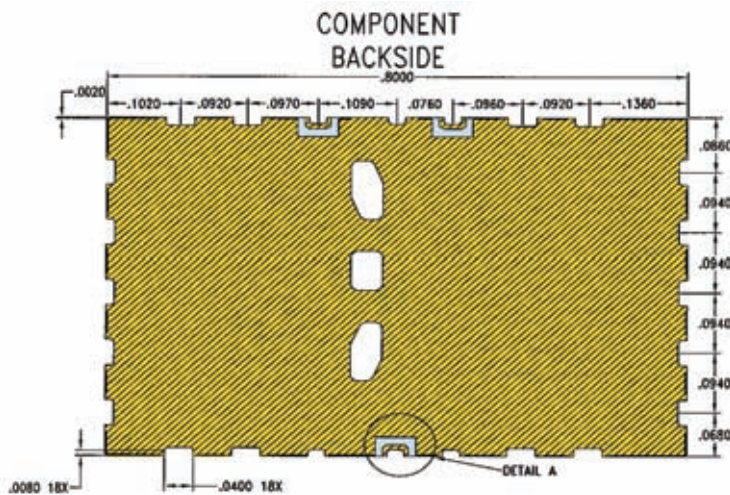
Mechanical Specifications



Unless otherwise specified dimensions in inches.

Tolerances:
 3 place decimals ± 0.004
 4 place decimals ± 0.004

- Notes:
1. External metallization has nickel/gold finish except cover via edge are unplated copper.
 2. Maximum assembly process temperature: 220°C.



www.dilabs.com

Dielectric Laboratories, Inc.
 2777 Route 20 East, Cazenovia, NY 13035 USA
 Phone: (315) 655-8710
 Fax: (315) 655-0445
 Email: sales@dilabs.com



AS 9100 and ISO 9001 certified
 ISO 14001 certified